

## Activity Block Blueprint Measurements

---

### **Introduction:**

*There are a wide array of dimensioning standards. The ones most familiar in the Manufacturing world were established by the American National Standards Institute (ANSI) and the American Society of Mechanical Engineers (ASME). Manufacturers use these measurements to parts to clearly communicate its dimensions. These methods assure that everyone who reads and follows them, understands the rules of the language and how to read the dimensions within the drawing so that the parts are manufactured correctly.*

### **Challenge:**

*To most accurately measure the overall length, width, and height of the blocks provided.*

### **Equipment:**

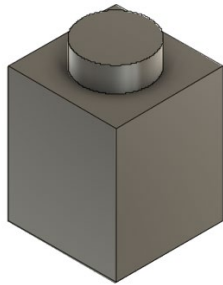
- *Simulated Workplace Design Notebook*
- *Pencil*
- *Measuring Device (ruler, caliper, micrometer)*

### **Materials:**

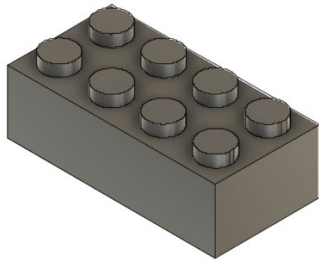
- *Various Blocks to Measure*

### **Procedure:**

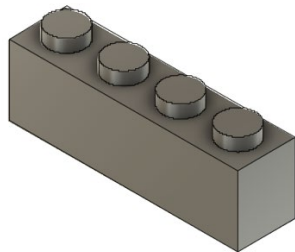
- *Provide the most accurate measures of the following blocks:*



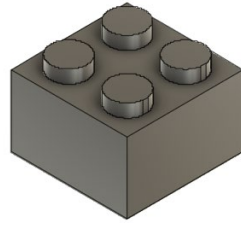
Length	Width	Height



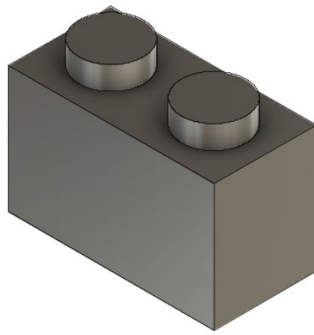
Length	Width	Height



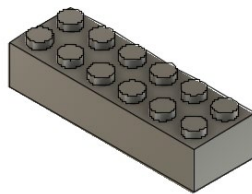
Length	Width	Height



Length	Width	Height



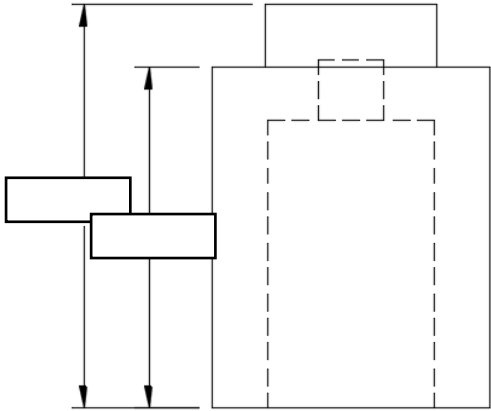
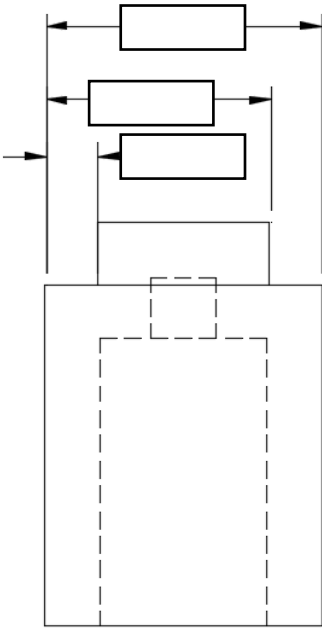
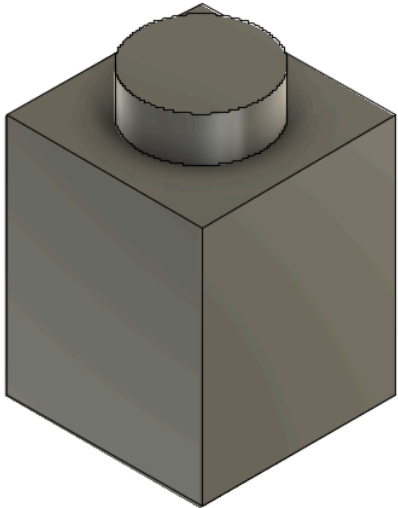
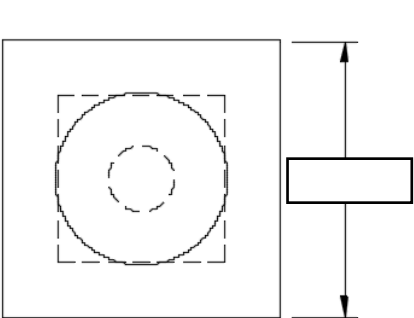
Length	Width	Height

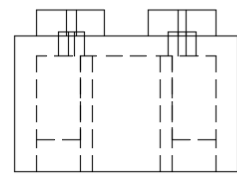
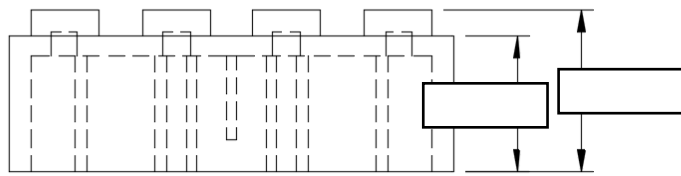
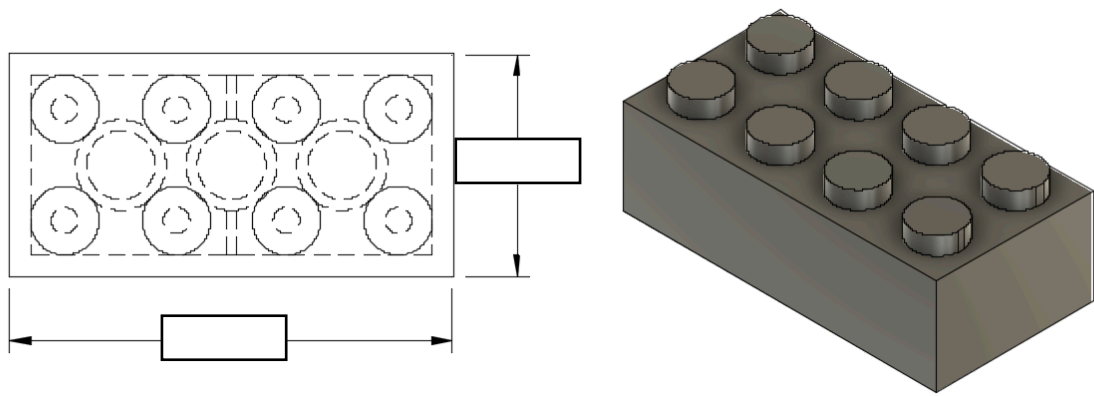


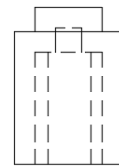
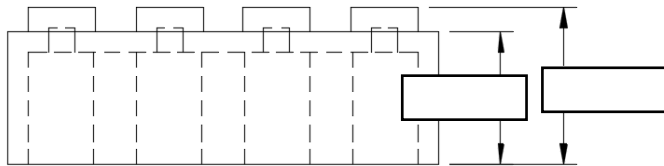
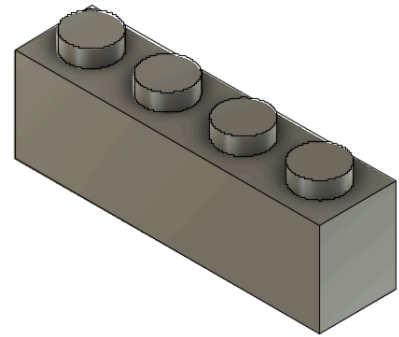
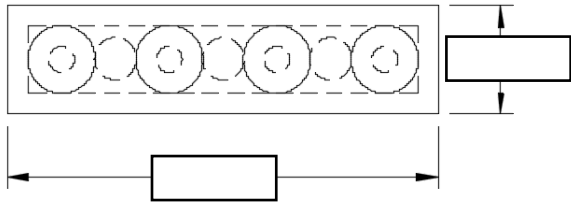
Length	Width	Height

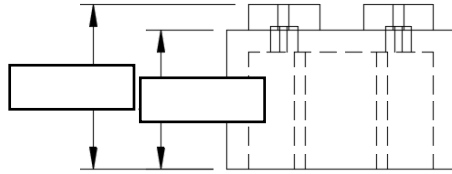
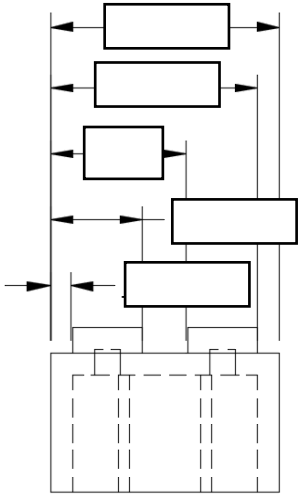
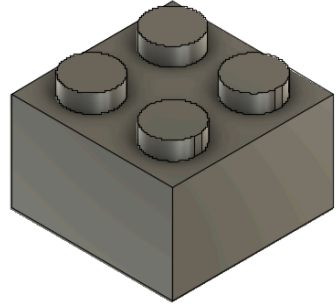
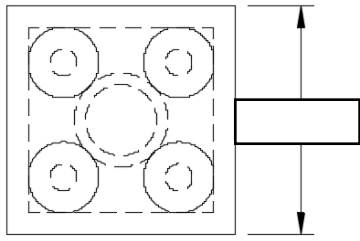
**Extension:**

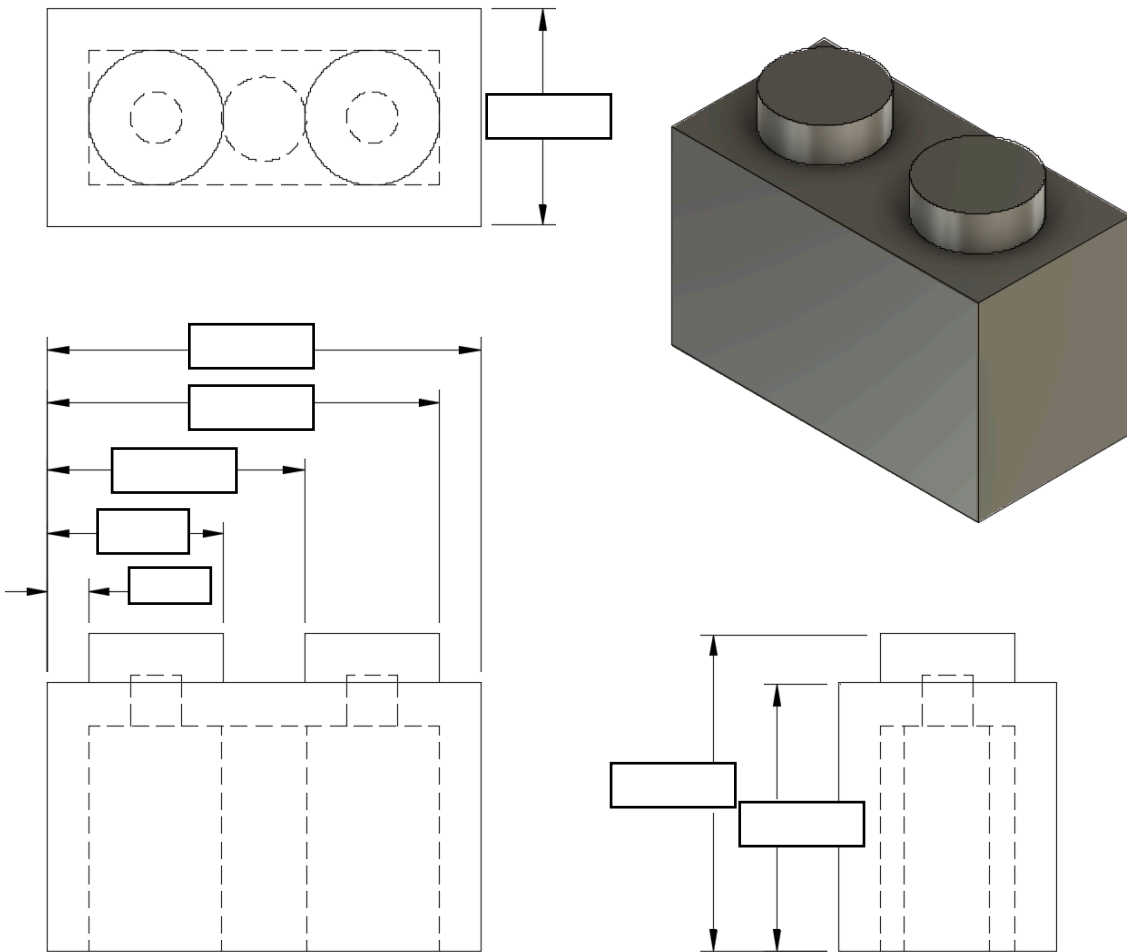
*Now that you have the hang of those overall measurements try to fill out these Multiview drawings:*











## Conclusion:

1. *What could have made this measuring task easier?*
2. *What does ANSI Stand For?*
3. *What does ASME Stand For?*



4. Why do you think it is important for a Manufacturer to have an accurate measure an object?